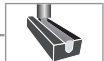


# CAM LOCKS

## CAM LOCK – EASY FIXING

761

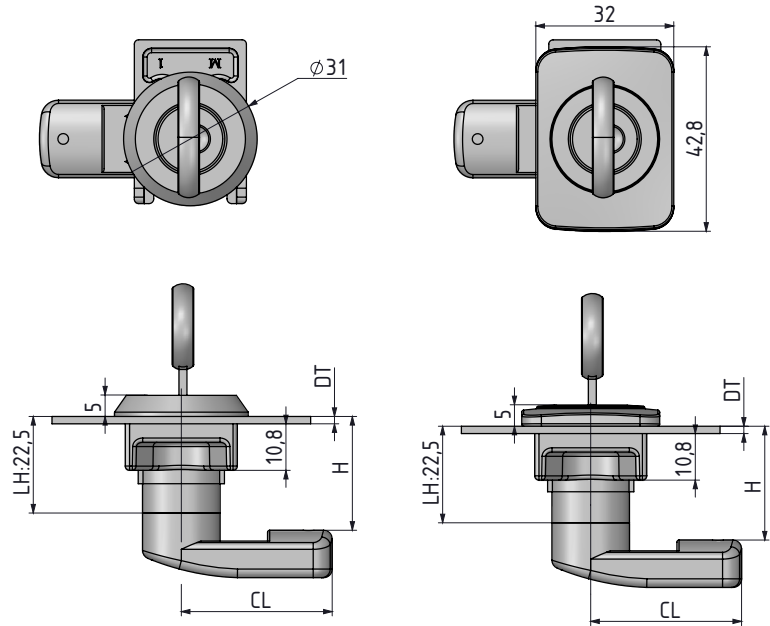


- Easy assembly by plastic clips
- Applicable on different panel thicknesses
- Standard cut out

### MATERIAL

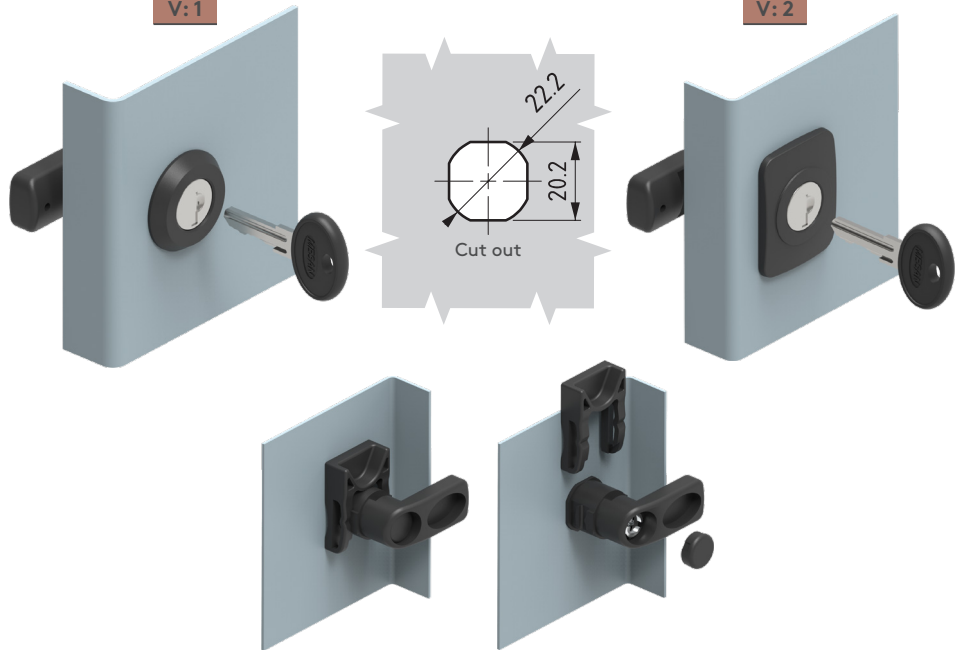
HOUSING: Polyamide DIN-EN ISO 1043-1 PA6 GFR 30

CAM: Plastic or steel



V:1

V:2



320.02.221  
BOLT COVER (For grounding)

- Can order separately (only for plastic cams)

DOOR THICKNESS	DT
1.2 -1.8 mm panel	12
1.8 -2.3 mm panel	23

CYLINDER	DD
	Keyed alike (Stainless steel dust cap)
Keyed differ (Stainless steel dust cap)	32
Master System	04
Euro key (5333)	05
CH751 (Stainless steel dust cap)	07

Group Code	Version	Housing	Cylinder	Door Thickness	Cam
761	V	2	0	DD	CC

For cams please check pages: 170 - 171