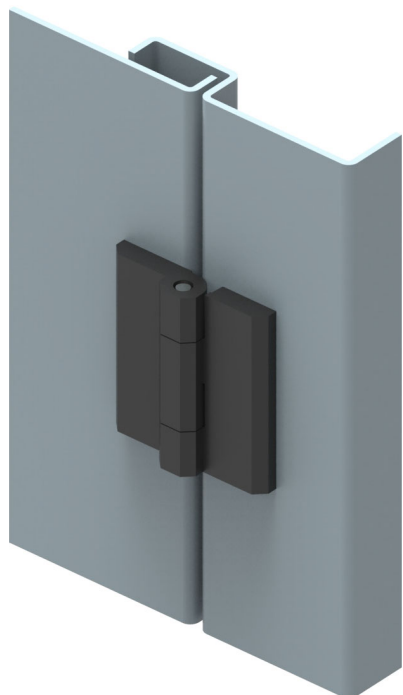
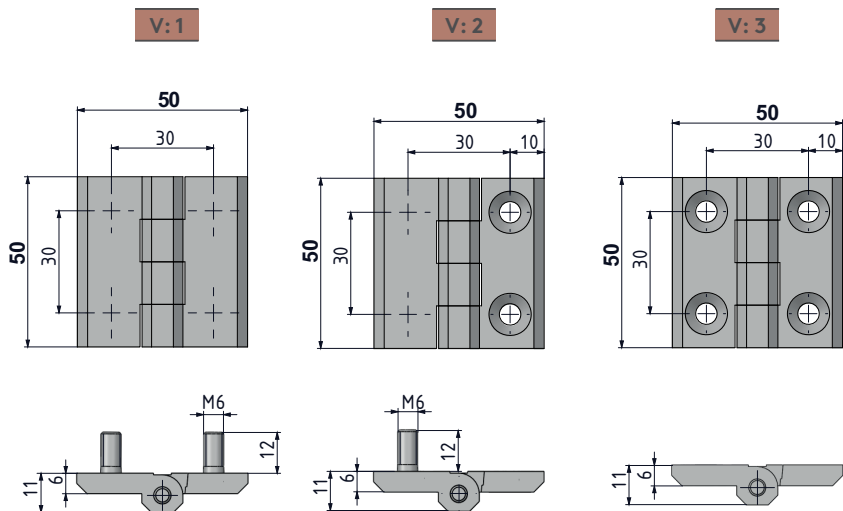




199 LEAF HINGE



- Generally used for plain/flush-mounted doors
- Stud versions fitted with M6 x 12 mm threaded stud
- Stainless steel (AISI 304) hinge pin.

**MATERIAL**

BODY: Polyamide DIN-EN ISO 1043-1 PA 6 GFR 30  
 PIN: Stainless Steel

MATERIAL	M	FINISH	F
Plastic	2	No finish	0

Group Code	Material	Finish	Version
199	2	0	V