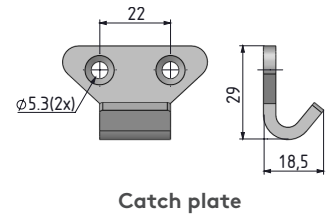
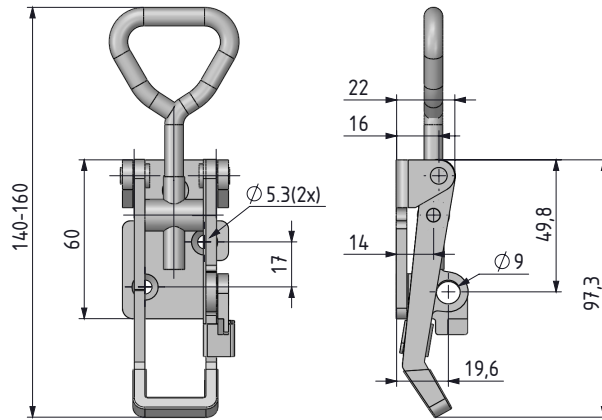


TOGGLE LATCH

340.00.135



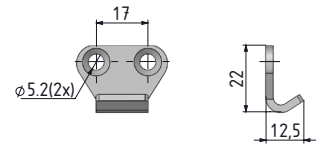
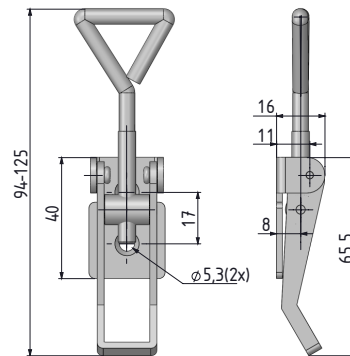
Catch plate

- Adjustable type draw latch.
- Padlockable version
- Used with a special catch plate

MATERIAL AND FINISH
Steel -Zinc Plated

TOGGLE LATCH

340.00.133



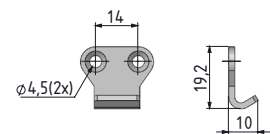
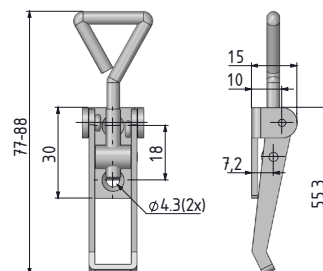
Catch plate

- Used for tool boxes, cabinets

MATERIAL AND FINISH
Steel -Zinc Plated

TOGGLE LATCH

340.00.131



Catch plate

- Used for tool boxes, cabinets

MATERIAL AND FINISH
Steel -Zinc Plated

- Stainless steel version: page 514